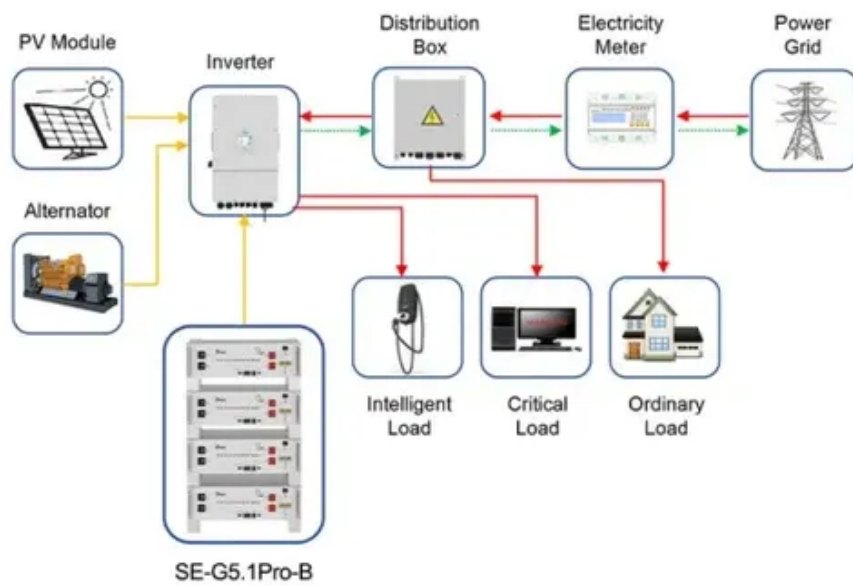




Asia New Energy Battery Cabinet 372KWh



Application scenarios of energy storage battery products





Asia New Energy Battery Cabinet 372KWh

Commercial and Industrial ESS

Air Cooling / Liquid Cooling

- Budget Friendly Solution
- Renewable Energy Integration
- Modular Design for Flexible Expansion



[372kwh Solar Panel Battery Cabinet for Efficient Energy ...](#)

372kwh Solar Panel Battery Cabinet for Efficient Energy Management4. US\$79,980.00 1-9 Pieces

[372kWh 1331V Battery Storage Cabinet with Liquid-Cooling](#)

372kWh 1331V Battery Storage Cabinet with Liquid-Cooling BESS-372K, the liquid cooling battery storage cabinet that offers high safety, efficiency, and convenience. Equipped with high-quality ...



[372kWh 1331V Battery Storage Cabinet with Liquid ...](#)

372kWh 1331V Battery Storage Cabinet with Liquid-Cooling BESS-372K, ...

[RK NEW ENERGY , 372kWh Liquid Cooling Energy Storage ...](#)

Dongguan RK New Energy Co.,Ltd Solar Storage System Series 372kWh Liquid Cooling Energy Storage Cabinet. Detailed profile including pictures and manufacturer PDF.



FLEXIBLE SETTING OF MULTIPLE WORKING MODES



solar battery storage

372 kWh liquid-cooled cabinet battery storage system. Intelligent liquid-cooled temperature control, reduce system auxiliary power consumption. Configure the local control and remote ...

372kWh Battery Storage System

Designed for industrial and commercial use, the BESS-372K liquid-cooled battery system delivers reliable 372kWh capacity. Featuring virtual synchronous technology and robust safety, it's ...



solar battery storage

372 kWh liquid-cooled cabinet battery storage system. Intelligent liquid-cooled temperature control, reduce system auxiliary power consumption. ...



[Shanghai Nenghui Energy: Innovative ESS Solutions](#)



Nenghui all-in-one liquid-cooled ESS cabinet adopts advanced cabinet-level liquid cooling and temperature balancing strategy. The cell temperature difference is less than 3°C, which further ...



[372kwh lifepo4 Solar Battery Storage Cabinet](#)

The 372kWh LiFePO4 Solar Battery Storage Cabinet is a renewable energy commercial and industrial-scale intelligent energy storage system. Engineered with superior quality lithium iron ...



RK NEW ENERGY , 372kWh Liquid Cooling Energy Storage Cabinet ...

Dongguan RK New Energy Co.,Ltd Solar Storage System Series 372kWh Liquid Cooling Energy Storage Cabinet. Detailed profile including pictures and manufacturer PDF.



- LIQUID/AIR COOLING
- INTELLIGENT INTEGRATION
- PROTECTION IP54/IP55
- BATTERY /6000 CYCLES



High-Capacity 372kwh off-Grid Solar Battery Storage System with

Our latest Energy Storage Cabinet is designed for both on-grid and off-grid applications, combining advanced LFP (LiFePO4) battery technology with intelligent EMS protection for ...

372kWh Battery Storage System



Designed for industrial and commercial use, the BESS-372K liquid-cooled battery system delivers reliable 372kWh capacity. Featuring virtual ...



50KW modular power converter



Flexible Configuration

- Modular Design, Expanding as Required
- Sleek/Rights, Well-Insulated
- Available in Racked/Air Expansion



Powerful Function

- Support PV/ESS
- Grid Support, Equipped with SVG Technology
- On-Grid and Off-Grid Operation



Reliable Protection

- Outdoor IP65 Design
- Sufficient Protection Functions Equipped

[Solar Power Storage Systems 372KWH Liquid-cooled cabinet](#)

By efficiently managing the system's temperature, we minimize auxiliary power consumption, ensuring you get more bang for your buck and enjoy significant savings on your monthly ...

New Arrival 372kwh Liquid Cooled Solar Power Storage Lithium ...

With IP54-rated protection, this cabinet is engineered to withstand dust and water exposure, ensuring stable operation even in challenging outdoor environments. Equipped with brand ...





Contact Us

For catalog requests, pricing, or partnerships, please visit:

<https://www.asimer.es>

Phone: +34 910 56 87 42

Email: info@asimer.es

Scan the QR code to access our WhatsApp.

